



FM Approvals
 1151 Boston Providence Turnpike
 P.O. Box 9102 Norwood, MA 02062 USA
 T: 781 762 4300 F: 781-762-9375 www.fmapprovals.com

Member of the FM Global Group

CERTIFICATE OF COMPLIANCE

HAZARDOUS LOCATION ELECTRICAL EQUIPMENT PER CANADIAN REQUIREMENTS

This certificate is issued for the following equipment:

BA474Da Indicating Temperature Transmitter

- IS / I, II, III / 1 / ABCDEFG / T4 Ta = 70°C – CI470-12; Entity; Type 4X, IP66
- I / 0 / Ex ia/ IIC / T4 Ta = 70°C – CI470-12; Entity; Type 4X, IP66
- IPA / I, II, III / 2 / ABCDEFG / T4 Ta = 60°C – CI470-13; NIFW; Type 4X, IP66
- I / 2 / IIC / T4 Ta = 60°C – CI470-13; NIFW; Type 4X, IP66
- AIS / I, II, III / ABCDEFG - CI470-12; Entity; Type 4X, IP66
- [I / 0] / [Ex ia] IIC - CI470-12; Entity; Type 4X, IP66

Intrinsic Safety Parameters

Input Parameters

Terminals	Vmax (V)	I _{max} (mA)	Pi (W)	Ci (uF)	Li (mH)
TB 2: 5 & 6	28	200	0.85	0.046	0.01
TB 3 (BA474D) or TB 601 (BA478C): 8 & 9: 11 & 12	30	200	0.85	0.02	0.01
TB1: 1, 2, 3 & 4	6	100	0.194	16.16	0

Output Parameters

Terminals	Voc	I _{sc}	Po	Co	Lo
TB 3 (BA474D) or TB 601 (BA478C): 8 & 9: 11 & 12	0.7V	1.3uA	4uW	46nF	0.69mH
TB1: 1, 2, 3 & 4	6V	30.3mA	46mW	23.84uF	3mH



Member of the FM Global Group

Nonincendive Field Wiring Parameters

Input Parameters

Terminals	V _{max} (V)	I _{max} (mA)	P _i (mW)	C _i (uF)	L _i (mH)
TB 1: 1, 2, 3 & 4	6	100	194	16.16	0
TB 2; 5 & 6	28	200		0.046	0.01
TB 3: 8 & 9; 10 & 11	32	200		0.02	0.01

Output Parameters

Terminals	V _{oc} (V)	I _{sc} (mA)	P _o (mW)	C _o (uF)	L _o (mH)
TB 1: 1, 2, 3 & 4	6	30.3	46	23.84	3

a = Parameter not affecting safety.

Maximum r.m.s. a.c. or d.c. voltage (For AIS/[Ex ia] application)

Terminals TB 2: 5 & 6; TB 3: 8 & 9; 10 & 11

U_m = 250 V

Special conditions of use

- The BA474D shall be protected from direct exposure to sunlight.

BA478Ca Indicating Temperature Transmitter

IS / I / 1 / ABCD / T4 Ta = 70°C – CI470-12; Entity; Type 4, IP66

I / 0 / Ex ia/ IIC / T4 Ta = 70°C – CI470-12; Entity; Type 4, IP66

NI / I / 2 / ABCD / T4 Ta = 60°C – CI470-13; NIFW; Type 4X, IP66

I / 2 / IIC / T4 Ta = 60°C – CI470-13; NIFW; Type 4X, IP66

Intrinsic Safety Parameters

Input Parameters

Terminals	V _{max} (V)	I _{max} (mA)	P _i (W)	C _i (uF)	L _i (mH)
TB 2: 5 & 6	28	200	0.85	0.046	0.01
TB 3 (BA474D) or TB 601 (BA478C): 8 & 9; 11 & 12	30	200	0.85	0.02	0.01
TB1: 1, 2, 3 & 4	6	100	0.194	16.16	0

Output Parameters

Terminals	V _{oc}	I _{sc}	P _o	C _o	L _o
TB 3 (BA474D) or TB 601 (BA478C): 8 & 9; 11 & 12	0.7V	1.3uA	4uW	46nF	0.69mH
TB1: 1, 2, 3 & 4	6V	30.3mA	46mW	23.84uF	3mH

Nonincendive Field Wiring Parameters

Input Parameters



Member of the FM Global Group

Terminals	V _{max} (V)	I _{max} (mA)	P _i (mW)	C _i (uF)	L _i (mH)
TB 1: 1, 2, 3 & 4	6	100	194	16.16	0
TB 2; 5 & 6	28	200		0.046	0.01
TB 3: 8 & 9; 10 & 11	32	200		0.02	0.01

a = Parameter not affecting safety.

Special conditions of use

1. To maintain the Type 4X and IP66 enclosure rating the BA478C shall be installed in accordance with the mounting conditions provided on drawing numbers CI470-12 and CI470-13.
2. The BA478C shall be installed in compliance with the enclosure, mounting, spacing and segregation requirements of the ultimate application.
3. The BA478C shall be protected from direct exposure to sunlight.

Equipment Ratings:

BA474D Indicating Temperature Transmitter

Intrinsically safe for Class I, II and III, Division 1, Groups A, B, C, D, E, F and G and Class I, Zone 0, Group IIC Hazardous (Classified) Locations when installed in accordance with the entity concept in accordance with Control Drawings CI470-12; Nonincendive for Class I, Division 2, Groups A, B, C and D and Class I, Zone 2, Group IIC, Hazardous (Classified) Locations when installed in accordance with the nonincendive field wiring concept in accordance with Control Drawings CI470-13; Suitable for Class II and III, Division 2, Groups E, F and G Hazardous (Classified) Locations when installed in accordance with the nonincendive field wiring concept in accordance with Control Drawings CI470-13. Temperature class T4 at an ambient of 60°C. Enclosure Type 4X and IP66.

Associated intrinsically safe apparatus for connection to Class I, II and III, Division 1, Groups A, B, C, D, E, F and G and Class I, Zone 0, Group IIC Hazardous (Classified) Locations when installed in accordance with the entity concept in accordance with Control Drawings CI470-12. Enclosure Type 4X and IP66.

BA478C Indicating Temperature Transmitter

Intrinsically safe for Class I, Division 1, Groups A, B, C and D and Class I, Zone 0, Group IIC Hazardous (Classified) Locations when installed in accordance with the entity concept in accordance with Control Drawings CI470-13; Nonincendive for Class I, Division 2, Groups A, B, C and D and Class I, Zone 2, Group IIC, Hazardous (Classified) Locations when installed in accordance with the nonincendive field wiring concept in accordance with Control Drawings CI480-13. Temperature class T4 at an ambient of 60°C. Front panel Type 4X and IP66.

FM Approved for:

BEKA associates Ltd
Hitchin, Hertfordshire, SG5 2DD. United Kingdom



Member of the FM Global Group

This certifies that the equipment described has been found to comply with the following Approval Standards and other documents:

C22.2 No 157	1992
C22.2 No. 1010.1	1992
C22.2 No. 213	1987
C22.2 No. 94.02	2007
C22.2 No. 60079-0-07	2007
C22.2 E60079-11-02	2002

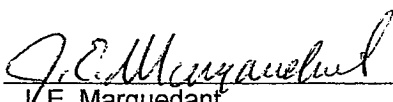
Original Project ID: 3035396C

Approval Granted: August 16, 2010

Subsequent Revision Reports / Date Approval Amended

Report Number	Date	Report Number	Date
---------------	------	---------------	------

FM Approvals LLC



 J. E. Marquedant
 Group Manager, Electrical

16 August 2010
 Date

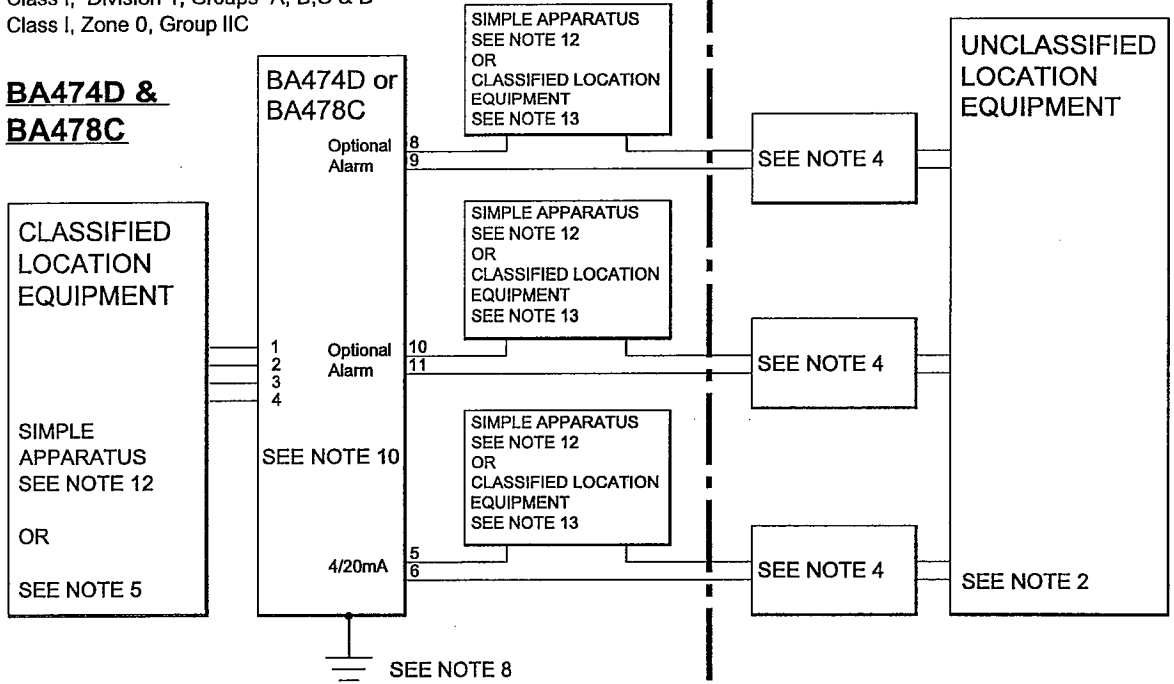
Appd.	
Ckd.	
Modification	
Date	
Iss.	
BEKA associates Hitchin England company confidential, copyright reserved.	
Appd.	
Ckd.	
Modification	New drawing
Date	02.10.2008
Iss.	1

HAZARDOUS (CLASSIFIED) LOCATION

BA474D LOCATIONS:
 Class I, Division 1, Groups A, B, C & D
 Class II, Division 1, Groups E, F & G
 Class III
 Class I, Zone 0, Group IIC

BA478C LOCATIONS:
 Class I, Division 1, Groups A, B, C & D
 Class I, Zone 0, Group IIC

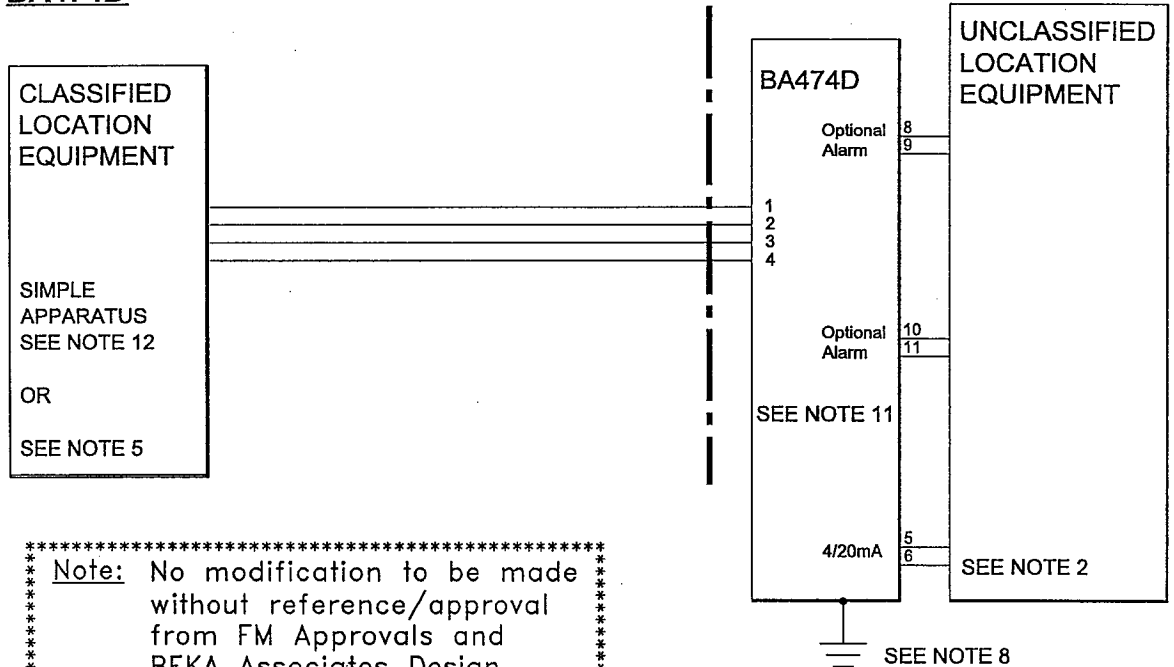
BA474D & BA478C



UNCLASSIFIED LOCATION

SEE NOTES 1 & 3

BA474D



 Note: No modification to be made without reference/approval from FM Approvals and BEKA Associates Design Department.

Title		Drawn	Checked	Scale
FM Approvals Control Drawing for Intrinsically Safe BA474D & BA478C Indicating Temperature Transmitters		RC	<i>[Signature]</i>	N/A
		Drawing No. CI470-12		
		Sheet 1 of 4		

Iss.	Date	Modification	Ckd.	Appd.
1	02.10 2008	New drawing		

BEVA associates
 Hitchin England
 company confidential, copyright reserved.

Notes

1. The associated protective barriers and galvanic isolators shall be FM approved and the manufacturers' installation drawings shall be followed when installing this equipment. For installations in Canada the associated protective barriers and galvanic isolators shall be cFM or CSA approved and the manufacturers' installation drawings shall be followed when installing the equipment.
2. The unclassified location equipment shall not use or generate more than 250V rms or 250V dc.
3. Installations shall be in accordance with ANSI/ISA RP 12.06.01 "Installation of Intrinsically Safe Systems for Hazardous (Classified) Locations" and the National Electrical Code ANSI/NFPA 70. Installations in Canada shall be in accordance with the Canadian Electrical Code C22.2.
4. One single channel or one two channel associated protective barrier or galvanic isolator with entity parameters complying with the following requirements:

Uo or Vt	equal or less than	The lowest Ui of the FM, cFM or CSA approved apparatus installed in the loop.
Io or It	equal to or less than	The lowest li of the FM, cFM or CSA approved apparatus installed in the loop.
Po	equal to or less than	The lowest Pi of the FM, cFM or CSA approved apparatus installed in the loop.
Lo	equal to or greater than	The sum of the cable inductances and the internal inductances Li of each FM, cFM or CSA approved apparatus in the loop.
Co	equal to or greater than	The sum of the cable capacitance and the internal capacitance Li of each FM, cFM or CSA approved apparatus in the loop.

5. Simple apparatus or

Uo or Vt	equal or less than	Ui
Io or It	equal to or less than	li
Po	equal to or less than	Pi
Li + Lcable	equal to or less than	Lo
Ci + Ccable	equal to or less than	Co

Cont.

Iss.	Date	Title	Drawn	Checked	Scale
			RC	<i>[Signature]</i>	N/A
FM Approvals Control Drawing for Intrinsically Safe BA474D & BA478C Indicating Temperature Transmitters			Drawing No. CI470-12		
			Sheet 2 of 4		

Iss.	1	Date	02.10 2008	Modification	New drawing	Ckd.		Appd.	
Iss.		Date		Modification		Ckd.		Appd.	

BEKA associates
Hitchin
England
company confidential, copyright reserved.

6. When installed in a hazardous (classified) location the BA474D Indicating Temperature Transmitter shall be fitted with cable glands / conduit hubs selected from the following table

Metallic glands and hubs must be grounded – see note 7.

Class	Permitted gland or conduit hub
Class I	Any metallic or plastic cable gland or conduit hub that provides the required environmental protection.
Class II and III	<p>Crouse – Hinds Myler hubs ST-1 STA-1 SSTG-1 STG-1 STAG-1 MHUB-1 HUB 1</p> <p>O-Z / Gedrey Hubs CHM-50DT CHMG-50DT</p> <p>Killark Glands CMCXAA050 MCR050 MCX050</p>

7. In addition to the supplied bonding plate, when 2 or 3 metallic glands or conduit hubs are fitted to a BA474D Indicating Temperature Transmitter, all metallic glands or conduit hubs shall be connected together and grounded.
8. **CAUTION** The BA474D and BA478C Indicating Temperature Transmitter enclosures are manufactured from conducting plastic per Article 250 of the National Electrical Code, the enclosures shall be grounded using the 'E' terminal on the terminal block.
9. The BA474D and BA478C Indicating Temperature Transmitters shall be mounted where they are shielded from direct sunlight.

10. Terminals 1, 2, 3 and 4

- Ui = 6V
- li = 100mA
- Pi = 194mW
- Uo = 6V
- Io = 30.3mA
- Po = 46mW

- Ci = 16.16µF
- Li = 0
- Co = 23.84µF
- Lo = 3mH

Terminals 5 and 6

- Ui = 28V
- li = 200mA
- Pi = 0.85W

- Ci = 46.42nF
- Li = 0.01mH
- Co = 36.58nF
- Lo = 0.69mH

Terminals 8, 9, 10 and 11

- Ui = 30V
- li = 200mA
- Pi = 0.85W
- Uo = 0.7V
- Io = 1.3µA
- Po = 4.0µW

- Ci = 20nF
- Li = 0.01mH
- Co = 46nF
- Lo = 0.69mH

Title
FM Approvals Control Drawing for
Intrinsically Safe BA474D & BA478C
Indicating Temperature Transmitters

Drawn	RC	Checked		Scale	N/A
Drawing No.		CI470-12			
Sheet 3 of 4					

Iss.	Date	Modification	Ckd.	Appd.
1	03.10.2008	New drawing		

BEKA associates
 England
 Hitchin
 company confidential, copyright reserved.

HAZARDOUS (CLASSIFIED) LOCATION

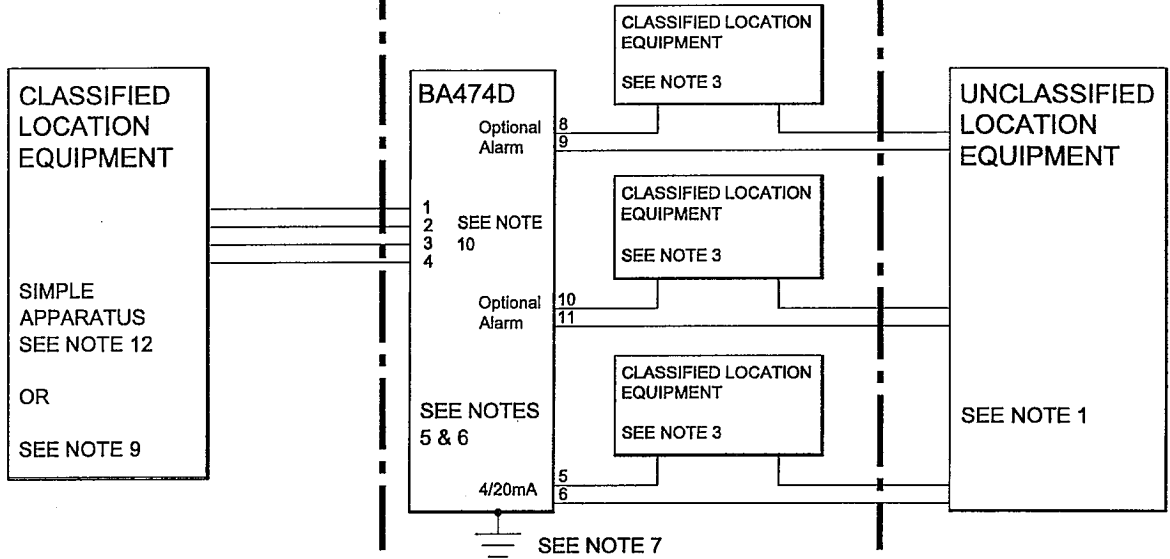
UNCLASSIFIED LOCATION

BA474D LOCATIONS:

Class I, Division 1, Groups A, B, C & D
 Class II, Division 1, Groups E, F & G
 Class III
 or
 Class I, Zone 0, Group IIC

Class I, Division 2, Groups A, B, C & D
 Class II, Division 2, Groups E, F & G
 Class III
 or
 Class I, Zone 2, Group IIC

SEE NOTE 2



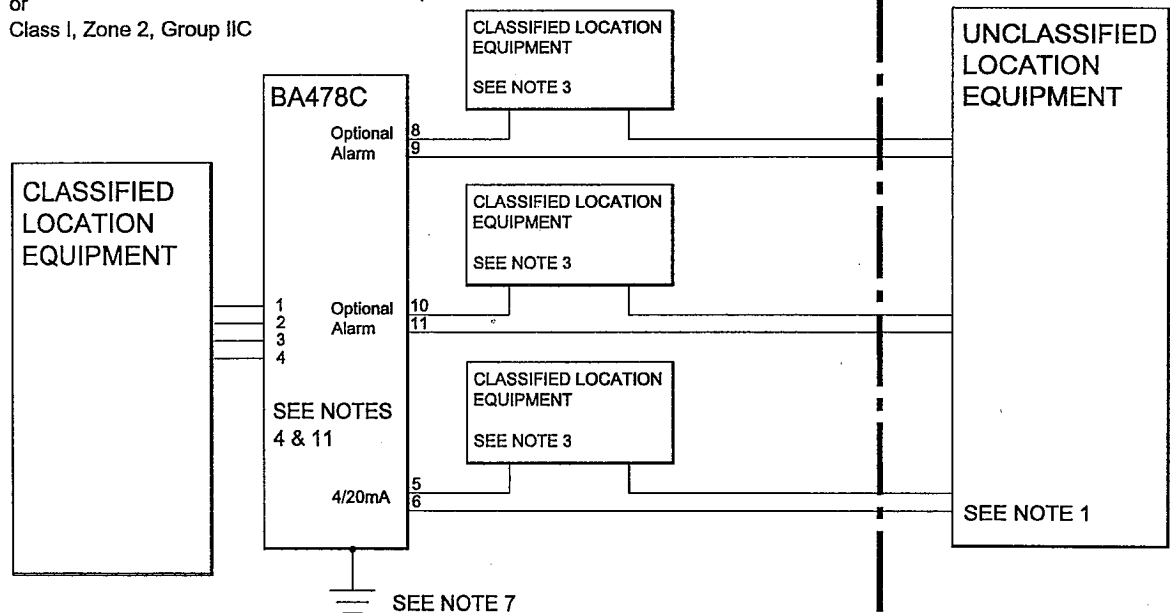
HAZARDOUS (CLASSIFIED) LOCATION

UNCLASSIFIED LOCATION

BA478C LOCATIONS:

Class I, Division 2, Groups A, B, C & D
 or
 Class I, Zone 2, Group IIC

SEE NOTE 2



 Note: No modification to be made without reference / approval
 from FM Approvals and BEKA associates Design Department.

Title		Drawn	Checked	Scale
FM Approvals Control Drawing for Nonincendive BA474D & BA478C Indicating Temperature Transmitters		RC	<i>[Signature]</i>	N/A
		Drawing No. CI470-13		
		Sheet 1 of 3		

Iss.	Date	Modification	Ckd.	Appd.
1	03.10 2008	New drawing		

BEKA associates
 Hitchin England
 company confidential, copyright reserved.

- In addition to the supplied bonding plate, when 2 or 3 metallic glands or conduit hubs are fitted to a BA474D Indicating Temperature Transmitter, all metallic glands or conduit hubs must be connected together and grounded.
- CAUTION** The BA474D and BA478C Indicating Temperature Transmitter enclosures are manufactured from conducting plastic per Article 250 of the National Electrical Code, the enclosures shall be grounded using the 'E' terminal on the terminal block.
- The BA474D and BA478C Indicating Temperature Transmitters shall be mounted where they are shielded from direct sunlight.
- Simple apparatus or

Uo or Vt	equal or less than	Ui
Io or It	equal to or less than	Ii
Po	equal to or less than	Pi
Li + Lcable	equal to or less than	Lo
Ci + Ccable	equal to or less than	Co

10. Terminals 1, 2, 3 and 4	Terminals 5 and 6	Terminals 8, 9, 10 and 11
Ui = 6V	Ui = 28V	Ui = 32V
Ii = 100mA	Ii = 200mA	Ii = 200mA
Pi = 194mW	Ci = 46.42nF	Ci = 20nF
Uo = 6V	Li = 0.01mH	Li = 0.01mH
Io = 30.3mA		
Po = 46mW		
Ci = 16.16µF		
Li = 0		
Co = 23.84µF		
Lo = 3mH		

11. Terminals 1, 2, 3 and 4	Terminals 5 and 6	Terminals 8, 9, 10 and 11
Ui = 6V	Ui = 28V	Ui = 32V
Ii = 100mA	Ii = 200mA	Ii = 200mA
Ci = 16.16µF	Ci = 46.42nF	Ci = 20nF
Li = 0	Li = 0.01mH	Li = 0.01mH

12. Simple Apparatus shall be as defined in the National Electrical Code ANSI/NFPA 70, or for installations in Canada by the Canadian Electrical Code C22.2

13. When mounting the BA478C in an enclosure to maintain Type 4 front panel rating:

- Minimum panel thickness should be
 - 2mm (0.08inches) Steel
 - 3mm (0.12inches) Aluminium
- Outside panel finish should be smooth, free from particle inclusions, runs or build-up around cut-out.
- Panel cut-out should be
 - 66.2 x 136.0mm -0.0 +0.5
 - (2.60 x 5.35 inches -0.00 +0.02)
- Edges of panel cut-out should be deburred and clean
- Four panel mounting clips are required and each should be tightened to between:
 - 20 and 22cNm (1.77 to 1.95 inLb)

Title	Drawn	Checked	Scale
	RC	<i>[Signature]</i>	N/A
FM Approvals Control Drawing for Nonincendive BA474D & BA478C Indicating Temperature Transmitters	Drawing No.		
	Sheet 3 of 3 CI470-13		